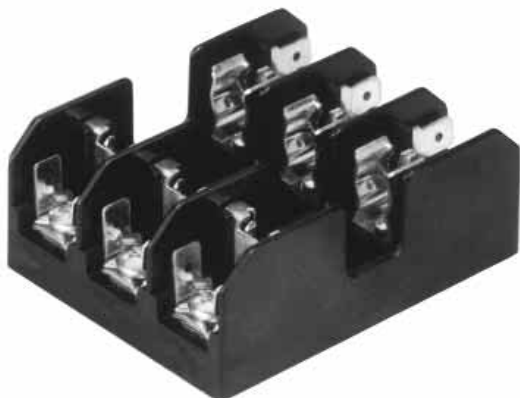


Class CC Fuseblocks

600 Volt, 30 Amps

BC Series



Catalog Symbol: BC Series

Class CC Fuseblocks

For use with Class CC Fuses (Bussmann LP-CC, KTK-R, and FRQ-R)

Ampere Rating: 1/10 to 30A

Voltage Rating: 600V

Withstand Rating: 200,000A RMS Sym.

Agency Information:

UL Listed, UL 512, Guide IZLT, File E14853

CSA Certified, C22.2 No. 39, Class 6225-01, File 47235

UL Flammability: 94VO

Materials: Base - Thermoplastic

Clips - Bright tin-plated bronze

DIN-RAIL Adapters: DRA-1 and DRA-2

Catalog Data

Amps	Poles	Terminal Type				
		Screw	Screw with Quick Connect*	Pressure Plate	Pressure Plate w/ Quick Connect*	Box Lug
1/10 to 30	1	BC6031S	BC6031SQ	BC6031P	BC6031PQ	BC6031B
	2	BC6032S	BC6032SQ	BC6032P	BC6032PQ	BC6032B
	3	BC6033S	BC6033SQ	BC6033P	BC6033PQ	BC6033B

Wire Range
CU Only

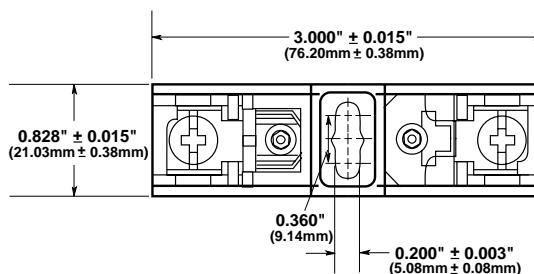


* QUICK CONNECT RATED FOR 20A MAXIMUM.

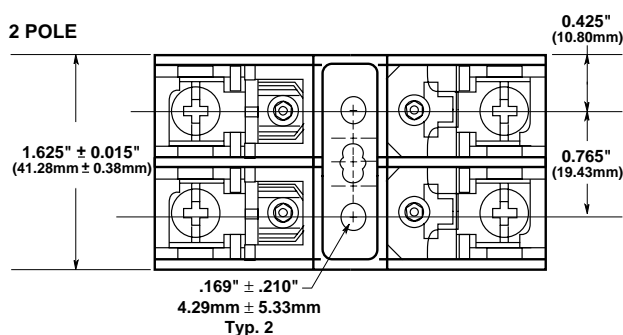
CE logo denotes compliance with European Union Low Voltage Directive (50-1000 Vac, 75-1500 Vdc). Refer to Data Sheet: 8002 or contact Bussmann Application Engineering at 636-527-1270 for more information.

Dimensional Data

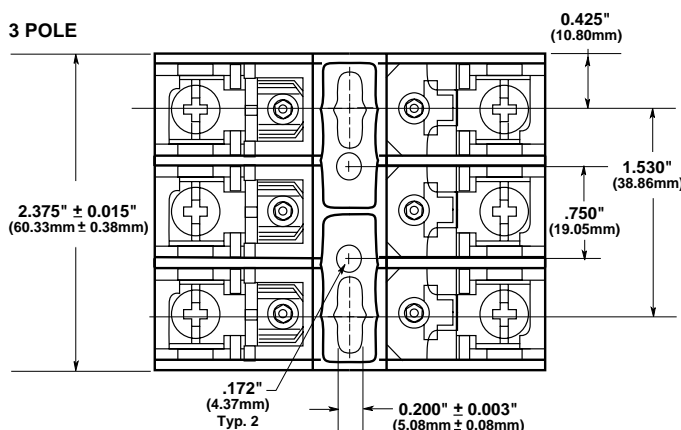
1 POLE



2 POLE



3 POLE



FUSEBLOCK LABEL (EXAMPLE SHOWN)

